

Ring Core Common Mode Choke for Automotive Signal Line – ACSR Series



Operating Temp : -50°C ~+150°C / -40°C ~+125°C

FEATURES

- ◆ The circular type, small size and low profile
- ◆ Suppression of common mode noise at high frequency
- ◆ Excellent mechanical property
- ◆ AEC-Q200 verified

APPLICATIONS

- ◆ Data and signal line

PRODUCT IDENTIFICATION

1	2	3	4	5	6
ACSR	0906	S	510	N	T

1 Type	
ACSR	Ring Core Common Mode Choke for Automotive Signal Line

2 External Dimensions (L×W) (mm)	
0906	9.0×6.0

3 Feature Type	
S	Sector Winding
C	Bifilar Winding

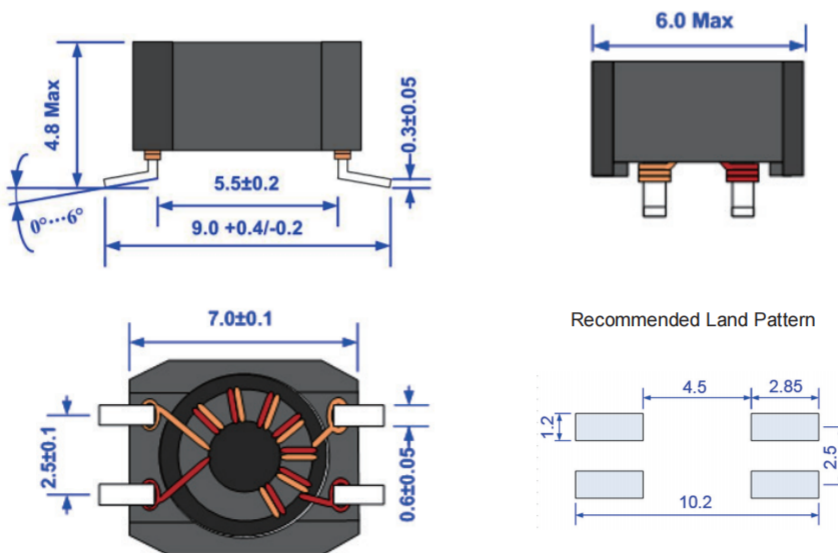
4 Inductance(uH)	
Example	Nominal Value
250	25
510	51
101	100

5 Tolerance Limits	
N	±30%

6 Packing	
T	Tape & Reel

SHAPE AND DIMENSIONS

Unit: mm



SPECIFICATIONS ACSR0906 TYPE

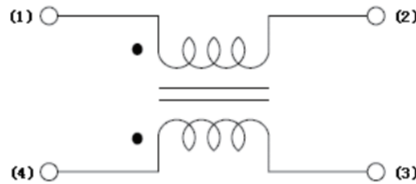
Part Number	Inductance (μH)	Stray Inductance (nH) Typ	DCR (Ω) Typ.	Rated Current (mA) Max.	V _{test} (VDC/2S)	Inductance Tolerance	Operation Temperature Range (°C)
ACSR0906C050NT	5 (@100KHz/0.1mA)	40 (@1MHz/5mA)	0.06	1200	250	±30%	-50~+150
ACSR0906S060NT	6 (@100KHz/0.1mA)	250 (@1MHz/5mA)	0.02	2000	250	±30%	-50~+150
ACSR0906C110NT	11 (@100KHz/0.1mA)	50 (@1MHz/5mA)	0.08	800	250	±30%	-50~+150
ACSR0906C250NT	25 (@100KHz/0.1mA)	60 (@100KHz/5mA)	0.11	800	250	±30%	-50~+150
ACSR0906S250NT	25 (@100KHz/0.1mA)	1400 (@100KHz/5mA)	0.11	800	250	±30%	-50~+150
ACSR0906C510NT	51 (@100KHz/0.1mA)	70 (@100KHz/5mA)	0.14	800	250	±30%	-50~+150
ACSR0906S510NT	51 (@100KHz/0.1mA)	2300 (@100KHz/5mA)	0.14	800	250	±30%	-50~+150
ACSR0906C101NT	100 (@100KHz/0.1mA)	100 (@100KHz/5mA)	0.18	500	250	±30%	-50~+150
ACSR0906C471NT	470 (@100KHz/0.1mA)	100 (@100KHz/5mA)	0.17	700	750	-30%/+50%	-40~+125
ACSR0906C102NT	1000 (@100KHz/0.1mA)	70 (@100KHz/5mA)	0.20	700	750	-30%/+50%	-40~+125
ACSR0906C222NT	2200 (@10KHz/0.1mA)	120 (@100KHz/5mA)	0.40	500	750	-30%/+50%	-40~+125
ACSR0906C472NT	4700 (@10KHz/0.1mA)	250 (@100KHz/5mA)	0.55	400	750	-30%/+50%	-40~+125

1.Storage temperature range (packaging conditions):-10°C ~+40°C and RH 70% (Max.)

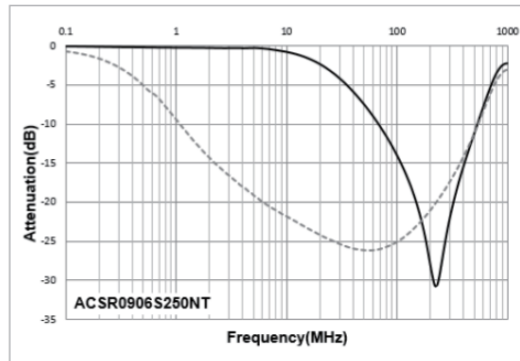
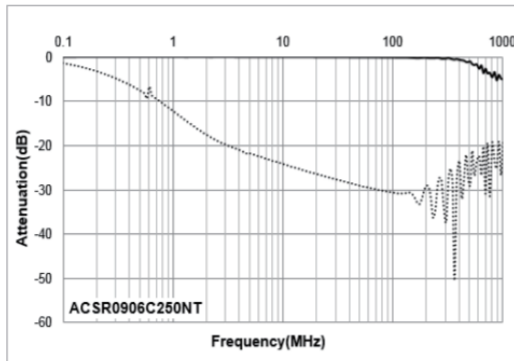
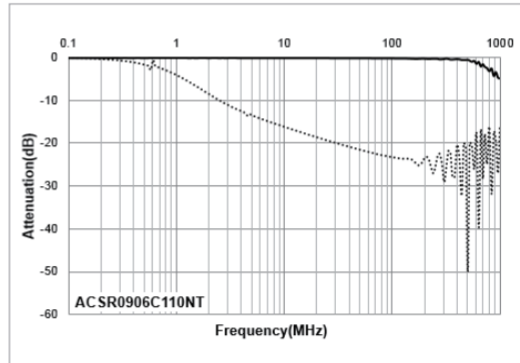
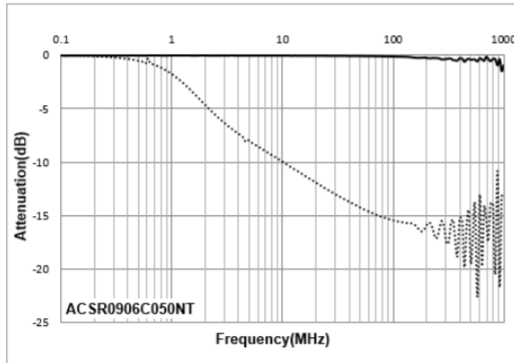
2.Rated voltage:42V_{ac} (50/60Hz) / 80V_{dc}

※: Products with other electrical characteristics can be provided upon customer's request. Please contact your local sales.

EQUIVALENT CIRCUIT



TYPICAL ELECTRICAL CHARACTERISTICS



**TYPICAL
ELECTRICAL
CHARACTERISTICS**

